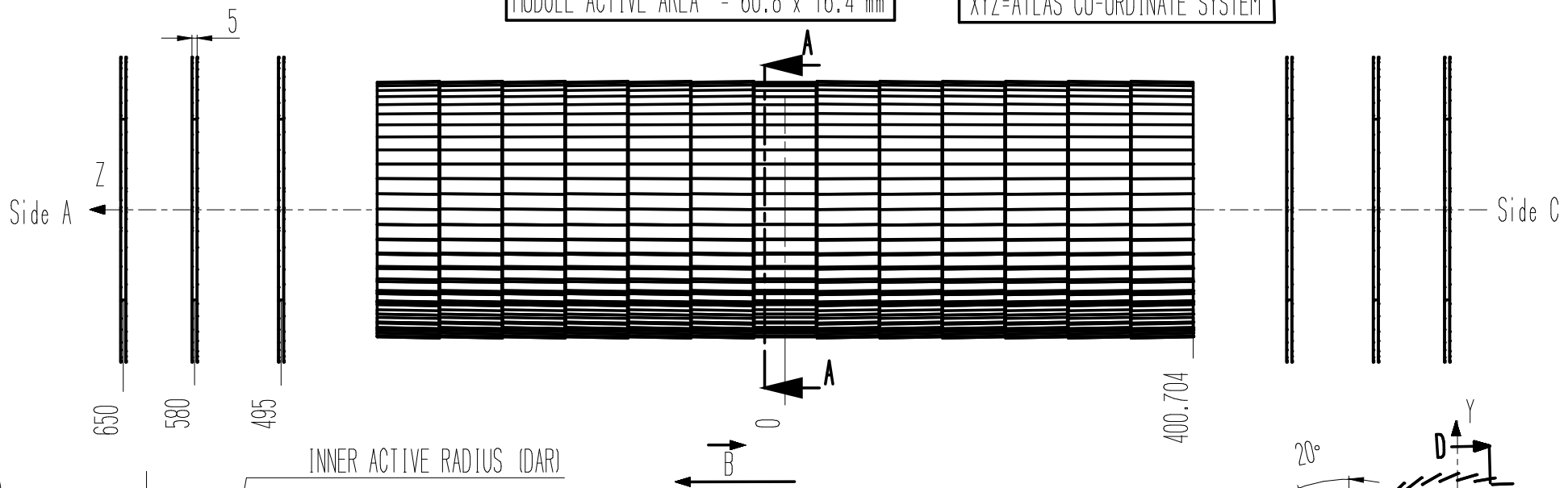
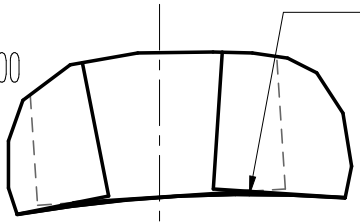


MODULE ACTIVE AREA = 60.8 x 16.4 mm

XYZ=ATLAS CO-ORDINATE SYSTEM

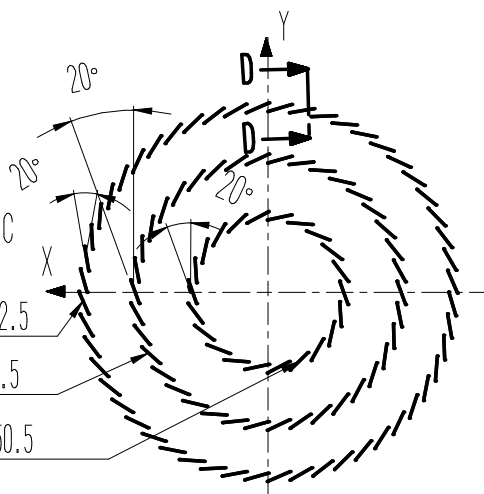


DETAIL A  
SCALE 2.000



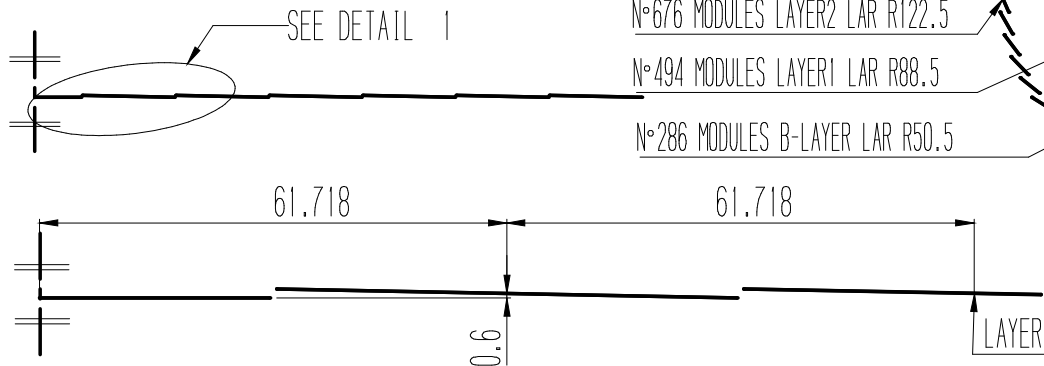
INNER ACTIVE RADIUS (DAR)

SECTION A-A  
view from side C

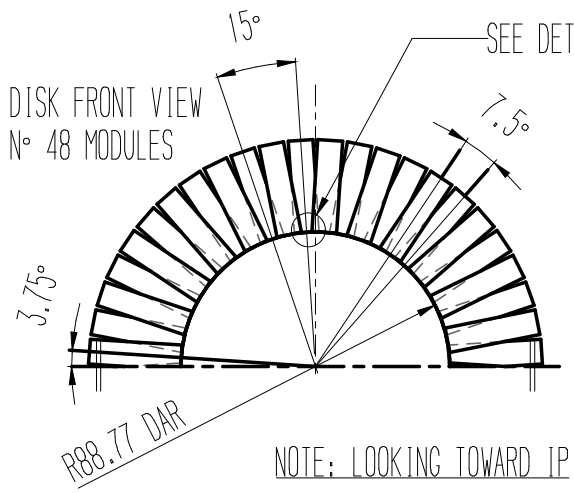


N°676 MODULES LAYER2 LAR R122.5  
N°494 MODULES LAYER1 LAR R88.5  
N°286 MODULES B-LAYER LAR R50.5

SECTION D-D



DISK FRONT VIEW  
N° 48 MODULES



DETAIL 1  
SCALE 1.000

| Designed   | Checked       | Date        | Rev. | Degree of accuracy UNI 5307-63 | Scale | CDD/EDMSn°                        |  |
|--|---------------|-------------|------|--------------------------------|-------|-----------------------------------|--|
| Puppo R.   | Ing. Cuneo S. | 13/6/2002   | 6    |                                | 0.200 |                                   |  |
| <b>INFN</b><br>ISTITUTO NAZIONALE DI FISICA NUCLEARE<br>SEZIONE DI GENOVA<br>Via Dodecaneso, 33 - 16143 Genova |               | Description |      |                                |       | PIXEL DETECTOR ACTIVE AREA LAYOUT |  |
|  |               | Experiment  |      | Group                          |       | Drawing N°                        |  |
|  |               | ATLAS       |      | 1                              |       | ATLAY0008                         |  |