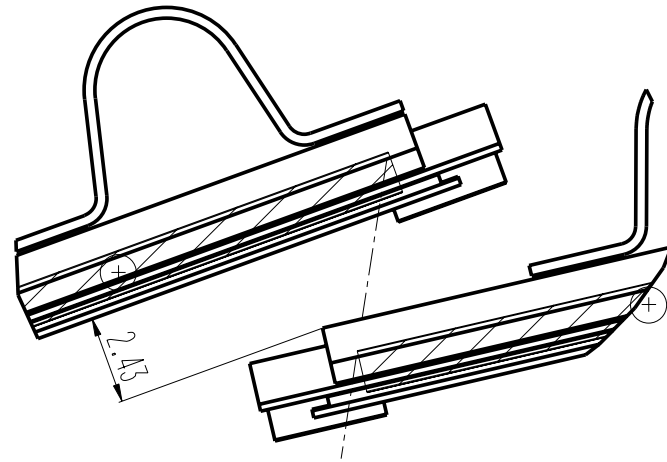
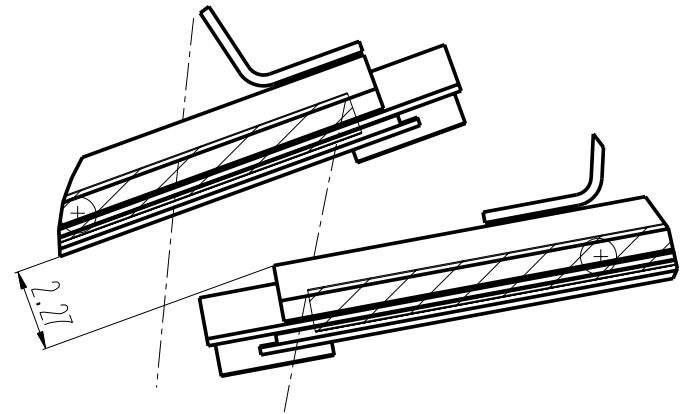


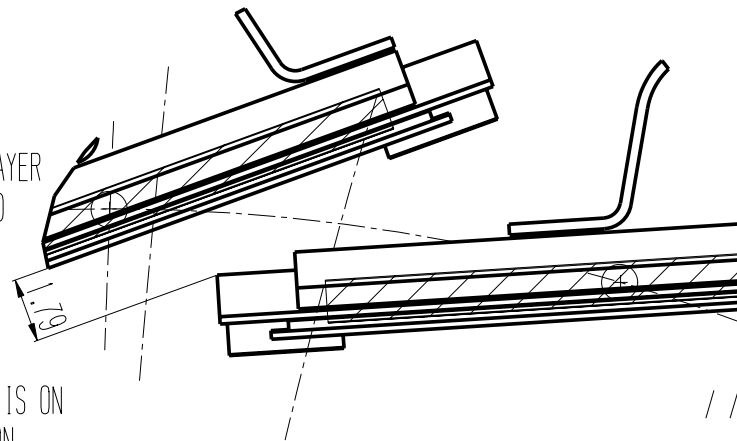
DETAIL LAYER2
SCALE 5.000



DETAIL LAYER1
SCALE 5.000



DETAIL B-LAYER
SCALE 5.000



⊕ THE LAYER RADIUS LOCATION IS ON CENTRAL POINT OF ACTIVE REGION OF NON-CENTER MODULE

//// ACTIVE REGION

	L2	L1	B-L
OVERLAP	0.6	0.76	0.93
BEAM OFFSET	12	11.05	7.62
INNER ENVELOPE	117.7	83.84	46.3

Designed	Checked	Date	Rev.	Degree of accuracy UNI 5307-63	Scale	CDD/EDMSn°
Puppo R.	Ing. Cuneo S.	30/07/04	6		1.000	
INFN ISTITUTO NAZIONALE DI FISICA NUCLEARE SEZIONE DI GENOVA Via Dodecaneso, 33 - 16143 Genova				Description BARREL MODULE LAYOUT IFLEX HYBRID		
				Experiment	Group	Drawing N°
				ATLAS	1	ATLAY0003