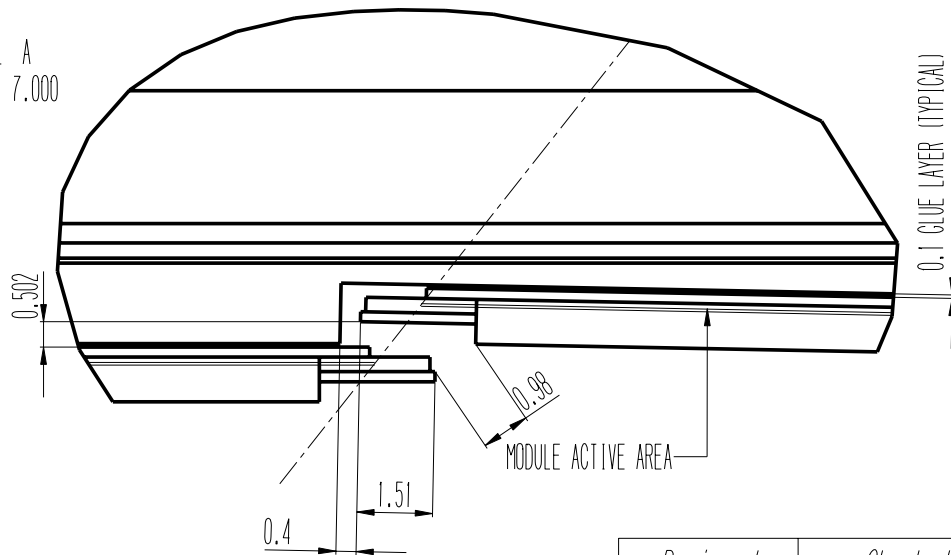
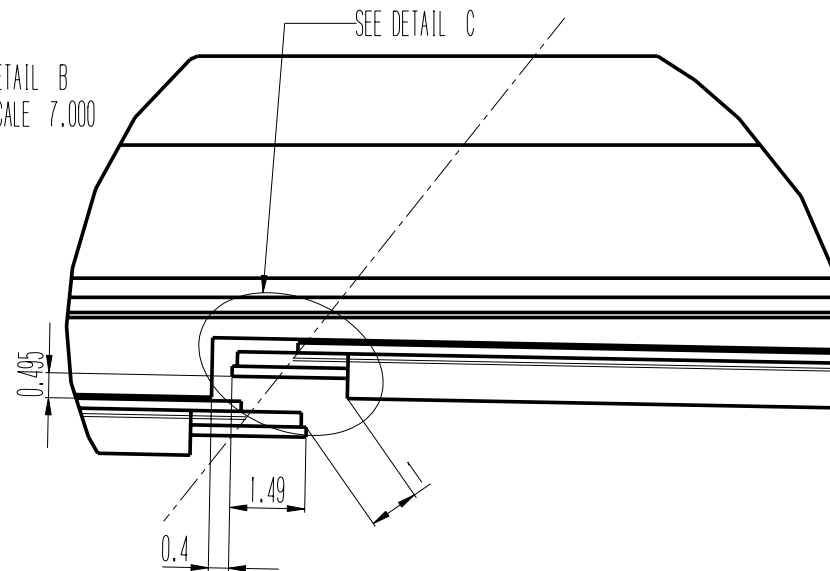


(*) MODULE PITCH (WITH REFERENCE TO ACTIVE REGION ϕ)

DETAIL A
SCALE 7.000



DETAIL B
SCALE 7.000



Designed	Checked	Date	Rev.	Degree of accuracy UNI 5307-63	Scale	CDD/EDMSn°
Puppo R.	Ing. Cuneo S.	30-07-04	4		0.500	
INFN ISTITUTO NAZIONALE DI FISICA NUCLEARE SEZIONE DI GENOVA Via Dodecaneso, 33 - 16143 Genova		Description BARREL MODULE Z LAYOUT (FLEX-HYBRID)				
		Experiment	Group	Drawing N°		
		ATLAS	1	ATLAY0002		