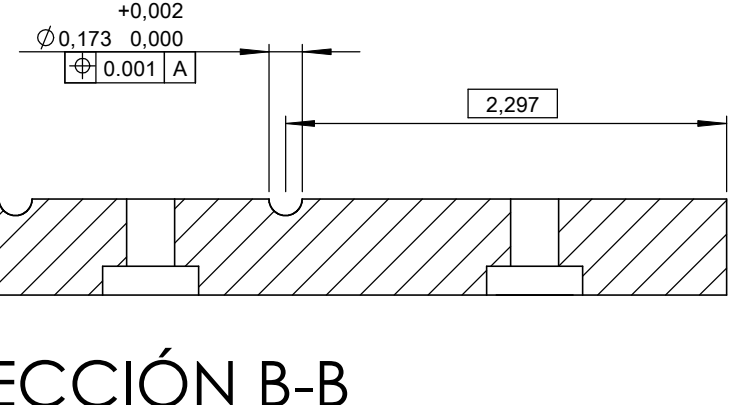


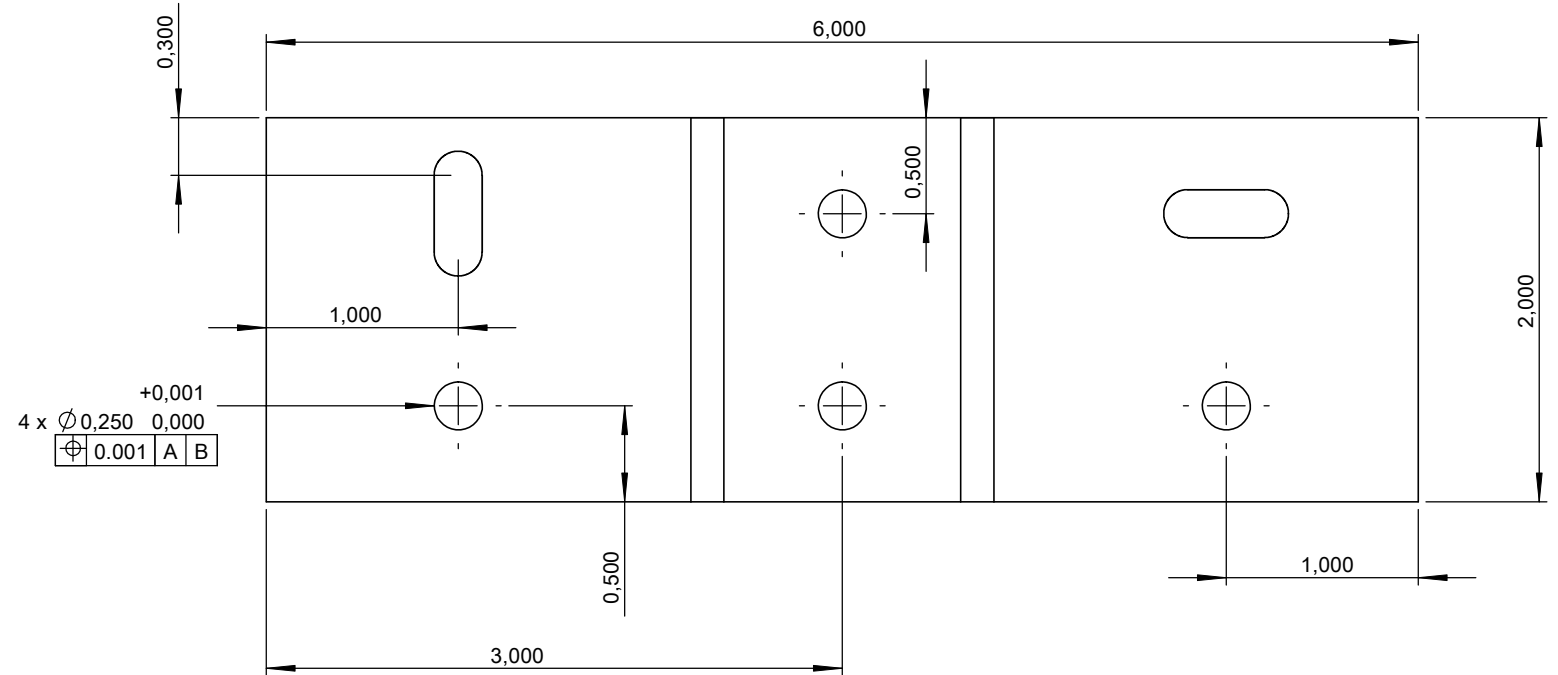
0,250 SLOT
 $\oplus 0,002$ A B

0,400 SLOT
 $\oplus 0,002$ A B

NOTES:
 UNITS ARE IN INCHES
 QTY: 1



SECCIÓN B-B



4 x Ø0,250 0,000
 $\oplus 0,001$ A B

REV.	NAME	DATE	MODIFICATION	
			TOLERANCES UNLESS OTHERWISE SPECIFIED	
DRAWN	D. SANTOYO	10/09/08	X.X ±0.1	FRAC. ±1/64
CHECKED	D. SANTOYO	10/09/08	X.XX ±0.01	ANGLES ±30'
MATERIAL:		ALUMINUM	X.XX ±0.005	FINISH-
SIZE	SCALE	TITLE		
A3	1:1	CLOSEOUT_TOOL#2_2		
IFIC. Instituto de Física Corpuscular. CSIC - Universitat de València.			DRAWING NUMBER	REV. -