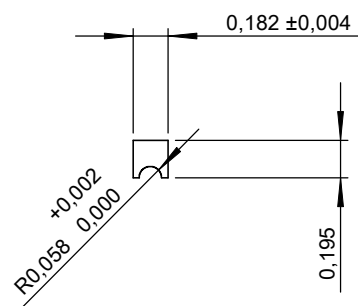
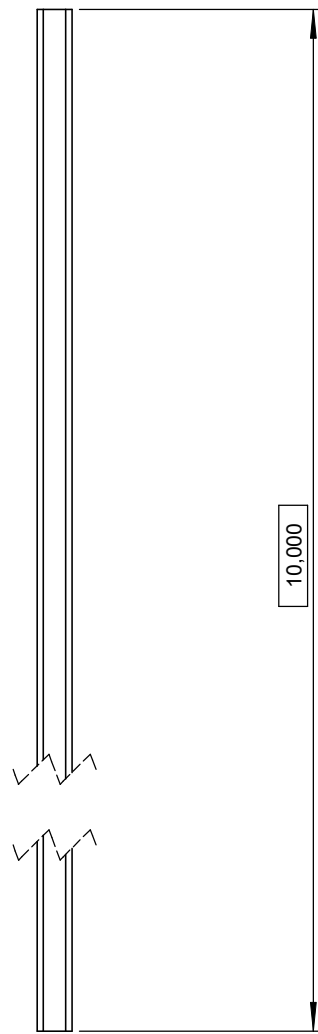


NOTES:

UNITS ARE IN INCHES
QTY: 8

MINIMUM GAP FOR ADHESIVE BETWEEN FOAM AND TUBE IS 0.003 BUT
TOLERANCES ALLOW UNTIL 0.005

POCOFOAM PART#1



REV.	NAME	DATE	MODIFICATION	
			TOLERANCES UNLESS OTHERWISE SPECIFIED	
DRAWN	D. SANTOYO	23/07/08	X.X ±0.1	FRAC. ±1/64
CHECKED	D. SANTOYO	23/07/08	X.XX ±0.01	ANGLES ±30'
MATERIAL:		POCO FOAM	X.XX ±0.005	FINISH-
SIZE	SCALE	GEOMETRIC TOLERANCES: (E)		TITLE
A3	1:1	EUROPEAN PROJECTION		POCOFOAM PART#1
IFIC. Instituto de Física Corpuscular. CSIC - Universitat de València.				REV. -

