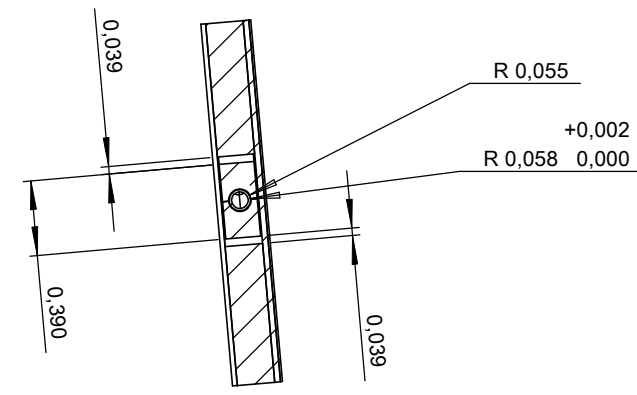


SECCIÓN A-A ESCALA 1 : 1



NOTES:

UNITS ARE IN INCHES

0,039 INCHES GAP ON BOTH SIDES BETWEEN FOAM AND HONEYCOMB

UP TO 0,39 INCHES FOAM WIDTH AROUND PIPE

PIPE OUTER RADIUS 0,055 INCHES

FOAM RADIUS 0,058 TO HAVE A MINIMUM 0,003 INCHES ADHESIVE GAP BETWEEN FOAM AND PIPE BUT TOLERANCES ALLOW UP TO 0,005 INCHES

REV.	NAME	DATE	MODIFICATION	
			TOLERANCES UNLESS OTHERWISE SPECIFIED	
DRAWN	D. SANTOYO	23/07/08	X.X ±0.1	FRAC. ±1/64
CHECKED	D. SANTOYO	23/07/08	X.XX ±0.01	ANGLES ±30'
MATERIAL:	-		X.XX ±0.005	FINISH-
SIZE	SCALE	GEOMETRIC TOLERANCES: (E)		TITLE
A3	1:5	EUROPEAN PROJECTION		PETAL ASSEMBLY DRW
IFIC. Instituto de Física Corpuscular. CSIC - Universitat de València.				REV. -

