

8

7

6

5

4

3

DWG. NO. 21F775 4 SIZE REV. SR. = 1

1

ITEM	PART NO.	REQD	DESCRIPTION	MATERIAL
9		16	4.80 DIA. GAGE PIN	STEEL
8		4	M3 X .50 SOCKET HEAD CAP SCREW X 12.7	STEEL
7		8	3.00 DIA. GAGE PIN	STEEL
6		32	M4 X .7 SOCKET HEAD CAP SCREW X 12.7 LONG	STEEL
5	21F779	8	END STIFFENER HONEYCOMB ALIGNMENT BLOCK	ALUM
4	21F778	1	END STIFFENER CAUL PLATE (NOT SHOWN)	ALUM
3	21F777	4	END STIFFENER FACESHEET ALIGNMENT BLOCK	ALUM
2	21F777	8	END STIFFENER VERTEX PLATE CLAMP	ALUM
1	21F776	1	END STIFFENER BOND FIXTURE PLATE	GRAPHITE

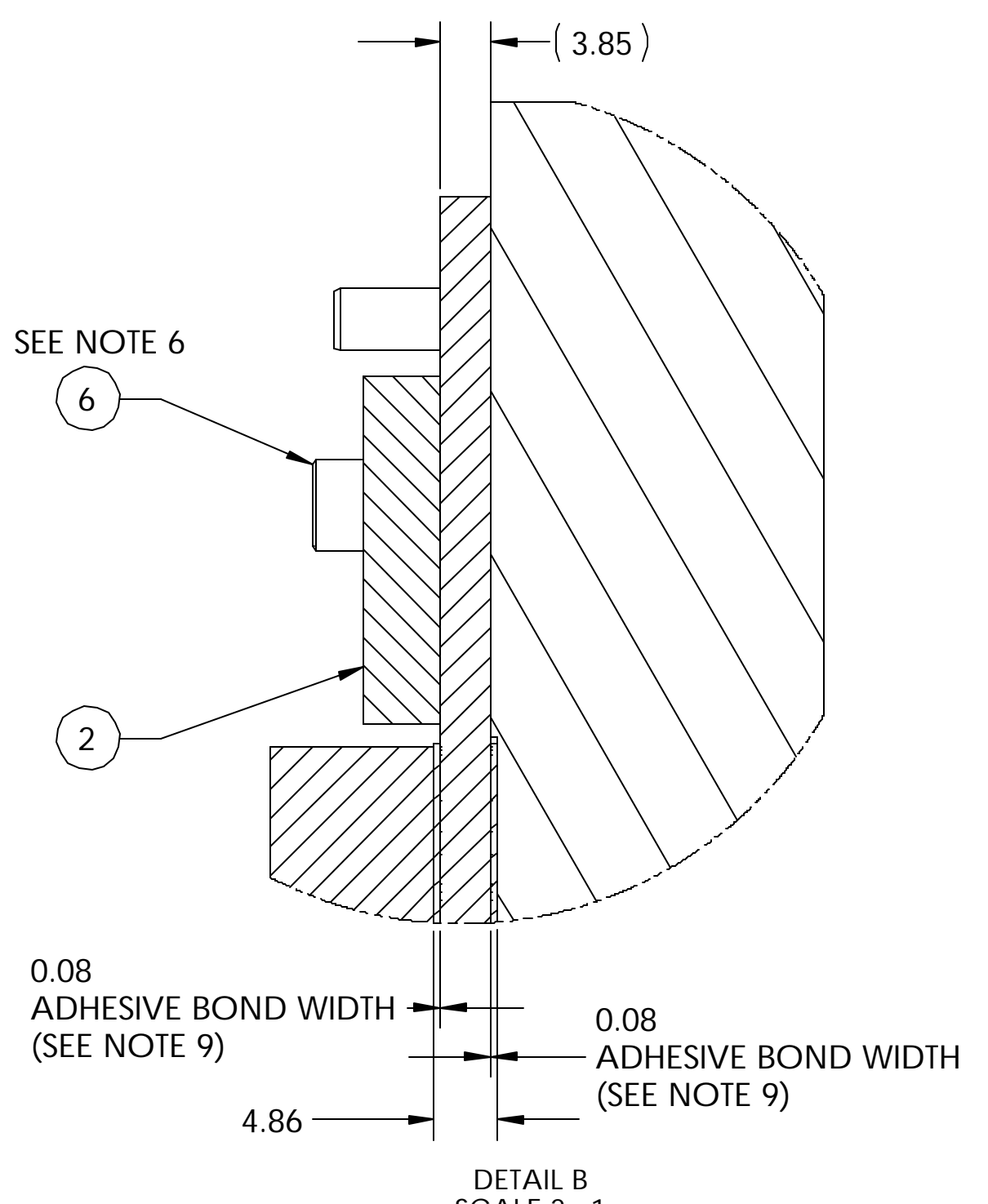
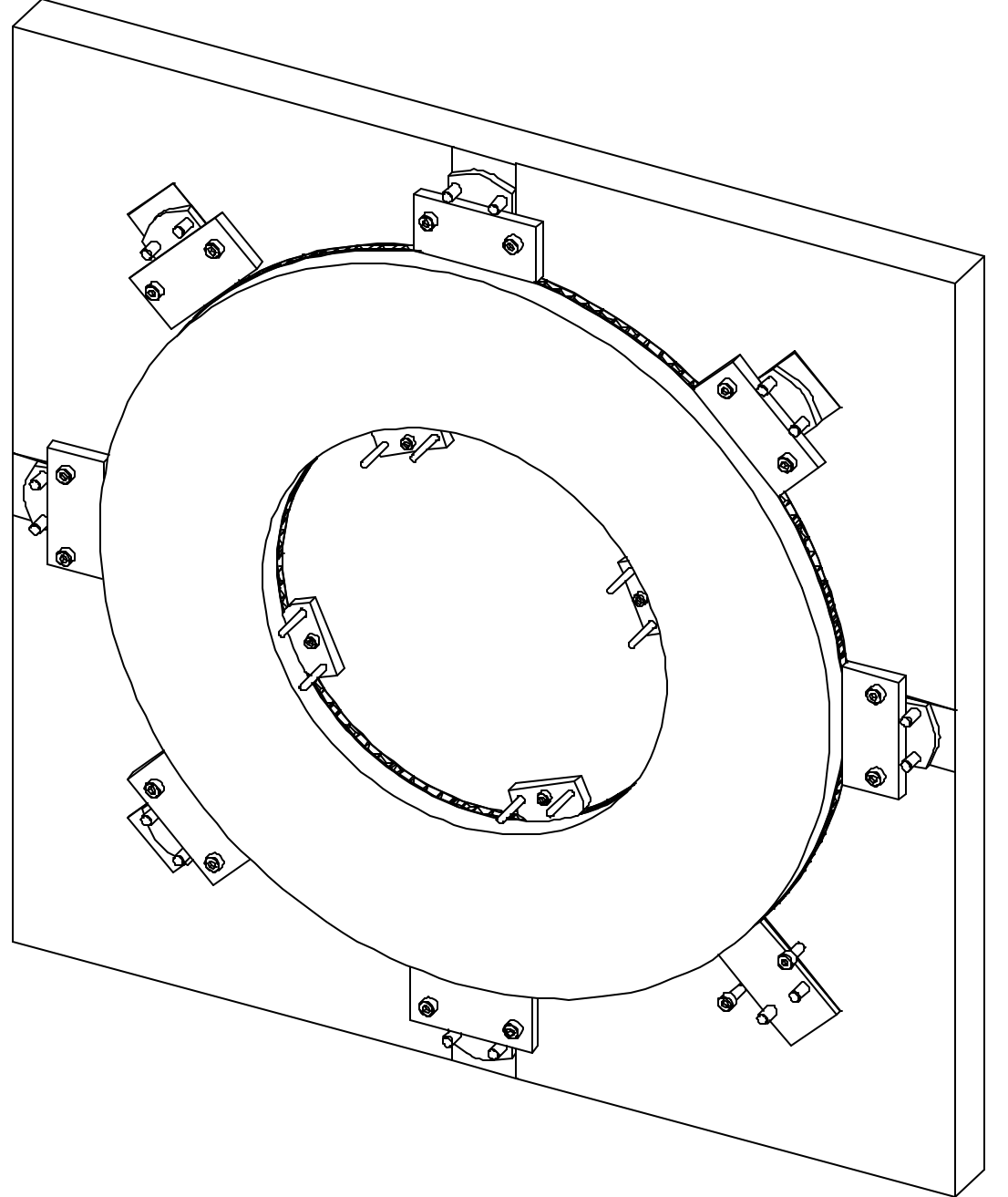
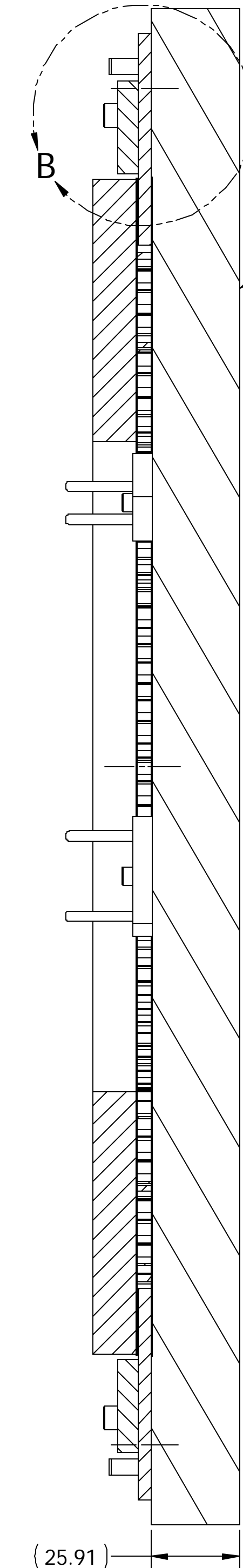
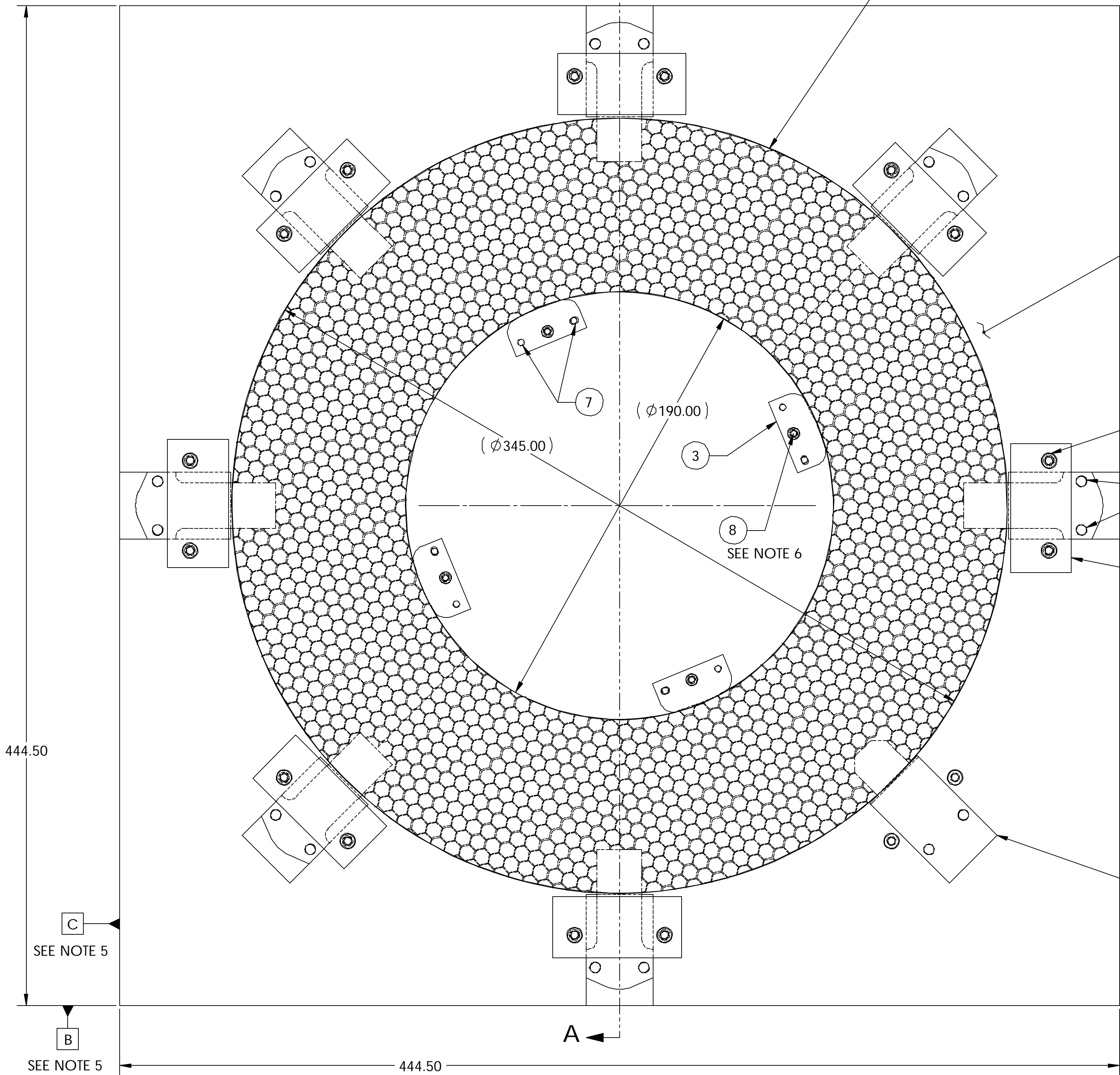
(ASSEMBLY 21F770)

D

C

B

A



444.50

SEE NOTE 5

SEE NOTE 5

444.50

(ϕ 190.00)

(ϕ 345.00)

SEE NOTE 6

SEE NOTE 6

(25.91)

SECTION A-A

SEE NOTE 6

SEE NOTE 6

0.08 ADHESIVE BOND WIDTH (SEE NOTE 9)

0.08 ADHESIVE BOND WIDTH (SEE NOTE 9)

DETAIL B SCALE 2 : 1

NOTES: UNLESS OTHERWISE SPECIFIED

- ALL DIMENSIONS IN MILLIMETERS
- DIMENSIONS AND TOLERANCING PER ASME Y14.5M-1994
- SURFACE TEXTURE PER ANI/ASME B 46.1-1985
- PARTS TO BE THOROUGHLY CLEAN FROM OIL, GREASE, DIRT AND CHIPS
- ALL TOLERANCES ARE REFERENCE; BASED UPON INDIVIDUAL PART TOLERANCES
- APPLY LESS THAN 1/3 RECOMMENDED TORQUE RATING FOR INDIVIDUAL SCREWS TO PREVENT PULLING HELICOILS OUT OF GRAPHITE
- INSERT PINS INTO HOLES TO 2X DIA. DEPTH ONLY TO ALLOW FOR EASY REMOVAL
- SPRAY MOLD RELEASE ON GRAPHITE PLATE IS ACCEPTABLE, TAPE IS PROHIBITED
- SEE FABRICATION PROCEDURE DOCUMENT FOR EXACT SPECIFICATIONS

REV	DWG	CHK	ZONE	DATE	CHANGES

UNLESS OTHERWISE SPECIFIED			SHOP ORDERS		SER. NO.
TOLERANCES	X, X ± 0.5	FRACTION ± 1/64	ACCT. NO.	NO. REQD.	DATE ISSD.
	X, XX ± 0.25	ANGLES ± 30°	DEL. TO	DATE REQD.	
	X, XXX ± 0.013	FINISH 1, 6	SURFACE TREATMENT		
			INDEX METHOD TAG		
			PROJECT NO.		
			PROJECT NAME		
			PROJECT NO.		
			PROJECT NAME		

ERNEST ORLANDO LAWRENCE
BERKELEY NATIONAL LABORATORY
UNIVERSITY OF CALIFORNIA - BERKELEY

ATLAS PIXEL DETECTOR
SPACEFRAME END STIFFENER
BOND FIXTURE ASSEMBLY

MICROFILMED:	DWG. TYPE	SHOWS ON	SCALE: 1:1.25	DO NOT SCALE PRINTS
	ASSEM	N/A		
PATENT CLEAR:	DESIGN ACCT. NO.	CATEGORY CODE	DWG. NO.	SIZE
	PIAP-11	AP6250	21F775 4	REV.

SHEET 1 OF 1