

8

7

6

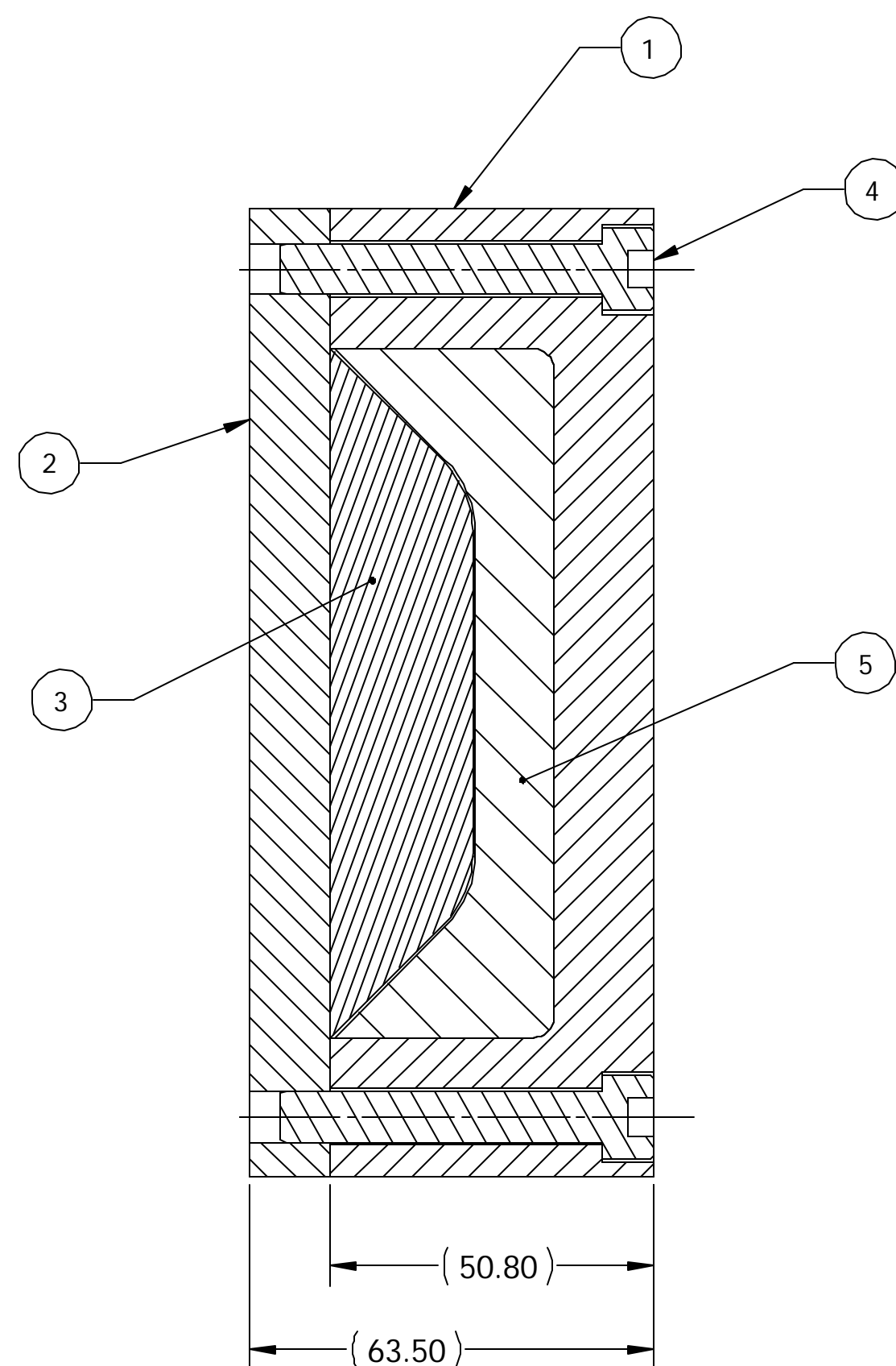
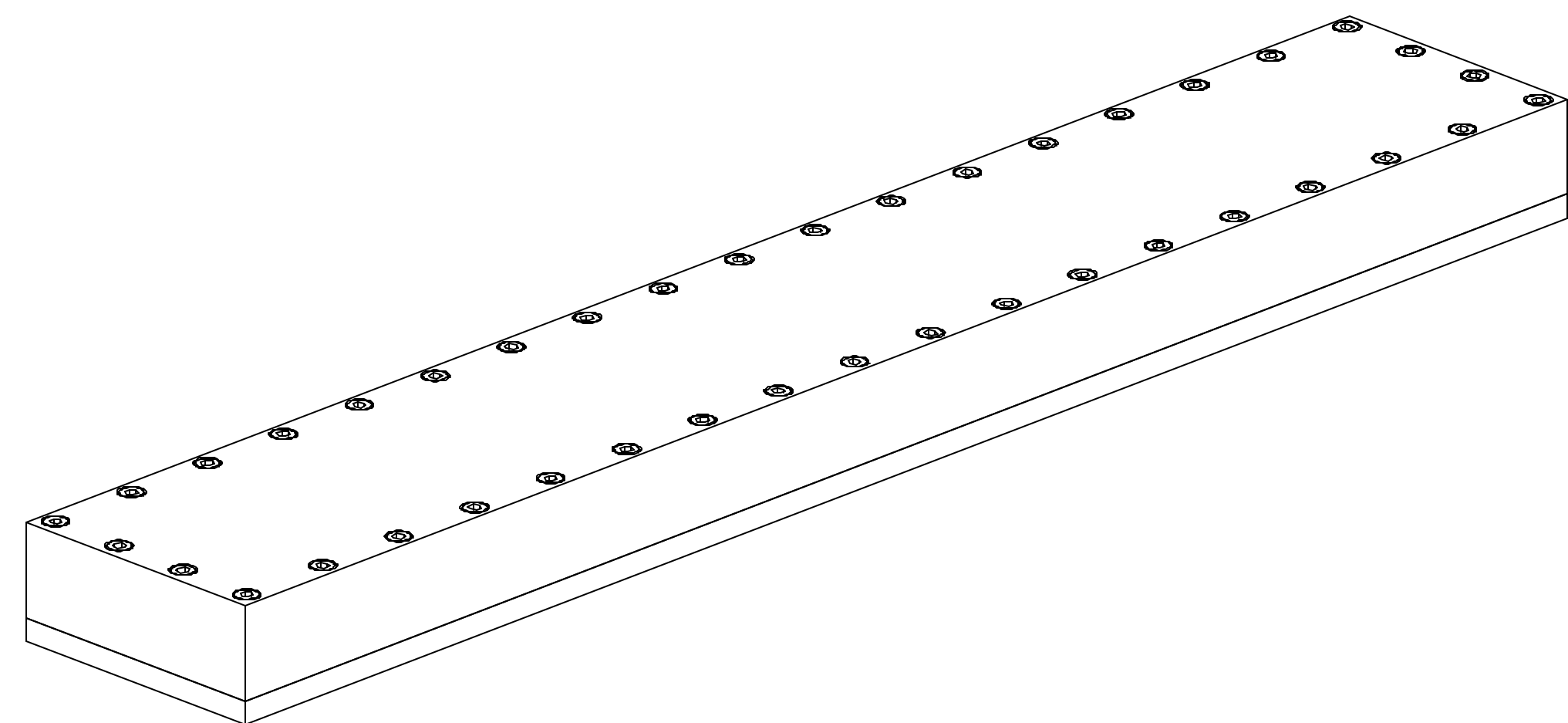
5

4

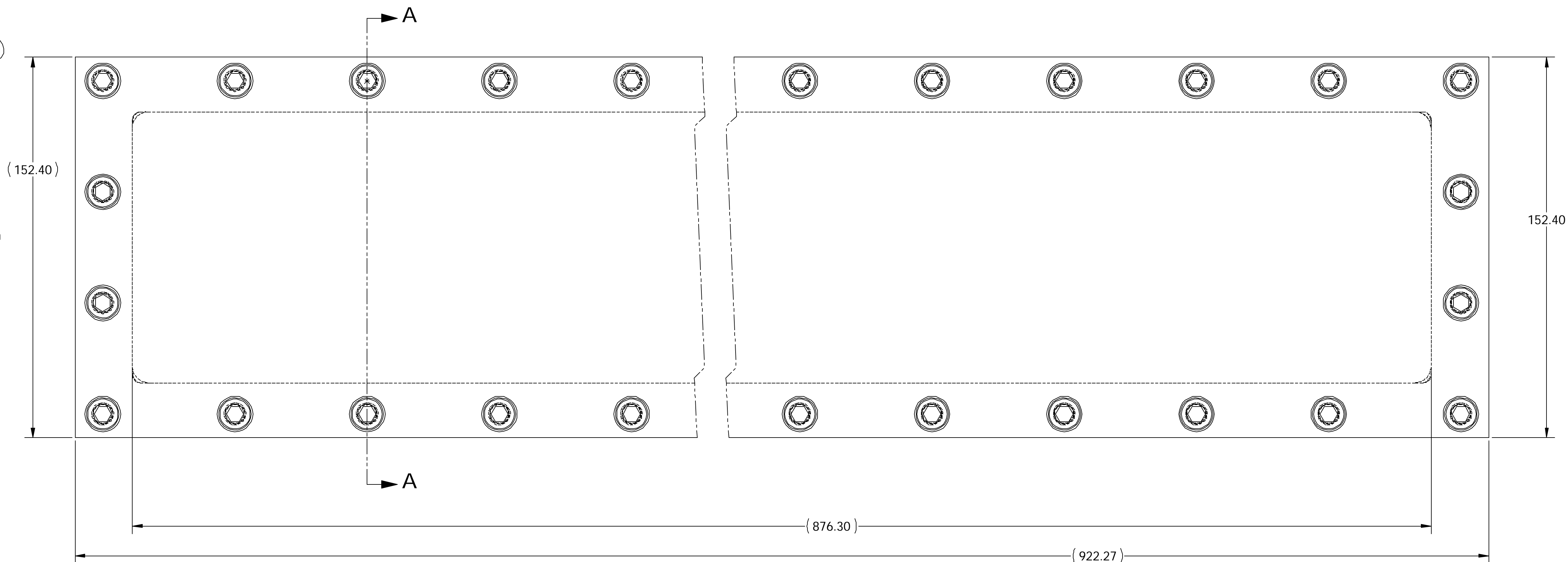
3

1

ITEM	PART NO.	REQD	DESCRIPTION	MATERIAL
5		1	OUTER VERTEX STIFFENER SILICONE MOLD INSERT	
4		40	M8 X 1.25 SOCKET HD CAP X 50.8 LONG	STEEL
3	21F710	1	PANEL OUTER CORNER MOLD INSERT	
2	21F707	1	MOLD COVERPLATE	
1	21F709	1	PANEL OUTER CORNER MOLD CAVITY	



SECTION A-A
SCALE 1 : 1



NOTES: UNLESS OTHERWISE SPECIFIED

1. DIMENSIONS IN MILLIMETERS
2. ASSEMBLY USED TO MOLD THE OUTER CORNERS FOR SPACEFRAME THE CENTRAL AND END SECTION (PART 21F658 AND 21F675)
3. ASSEMBLY WEIGHS 130 Lbs.

REV	DWG	CHK	ZONE	DATE	CHANGES	UNLESS OTHERWISE SPECIFIED	SHOP ORDERS	SER NO.	ACCT NO.	DATE ISSD	ERNEST ORLANDO LAWRENCE BERKELEY NATIONAL LABORATORY
						TOLERANCES					UNIVERSITY OF CALIFORNIA - BERKELEY #
						X.X ± 0.5	NO. REQD				ATLAS PIXEL DETECTOR
						FRAC. ± 1/64	DATE REQD				SPACEFRAME CENTRAL AND END SECTION
						X.XX ± 0.25	DEL TO				PANEL OUTER CORNER MOLD ASSEMBLY
						ANGLES ± 30°	DATE REQD				
						X.XXX ± 0.013	SURFACE TREATMENT				
						FINISH 1.6	INDEX METHOD TAG				
						DO NOT SCALE PRINT	PROJECT NUMBER				
						THREADS ARE CLASS 2	ATL-IP-ED-XXXX				
						CHAMFER ENDS OF ALL SCREW THREADS 30°	PROJECT NAME				
						CUT ROUNDS, 1.5 THREAD RELIEF ON MACHINED THREADS	US ATLAS SILICON SUBSYSTEM				
						BREAK EDGES .016 MAX. ON MACHINED WORK	DWG BY				
						REMOVE BURS, WELD SPLATTER & LOOSE SCALE	W. K. MILLER				
						IN ACCORDANCE WITH ASME Y14.5m & B46.1	CHK BY				
							BILL WILDS				
							DATE				
							4/16/2002				
							APR BY				
							E. ANDERSSSEN				
							DATE				
							4/16/2002				

8

7

6

5

4

3

2

1

MICROFILMED:	DWG. TYPE	SHOWS ON	SCALE:	DO NOT SCALE PRINTS
	ASSEM	N/A	1:1	
PATENT CLEAR:	DESIGN ACCT. NO.	CATEGORY CODE	DWG. NO.	SIZE
	P1AP-11	AP6250	21F7084	REV.

SHEET 1 OF 1